



# SOPHISTICATED. ELEGANT. MONTALINE®.



CLADDING PROFILES IN STEEL AND ALUMINIUM  
NEW: with MONTALINE® SOLAR-module

## CAN A FAÇADE LOOK MORE EXPENSIVE THAN IT IS?

MONTALINE® cladding profiles provide the basis for an elegant façade on which no fasteners can be seen. MONTALINE® cladding profiles are also available with double-sided bended ends. This gives the façade the character of a high-priced flat panel façade. The various overall widths up to 400 mm and the use of glass elements combined with metal or concave/convex rounded MONTALINE® profiles produce interesting design possibilities for architects and planners.

With their sophisticated design, with or without joints, and hidden fastening system, MONTALINE® profiles are visually different to trapezoidal or corrugated profiles. Thanks to their elegance, they are often used on industrial and administrative premises, as well as residential buildings.

## TIMELESS AESTHETICS

MONTALINE® profiles in steel are now also available with a high-quality 50µm Colorcoat Prisma® coating. Colorcoat Prisma® provides for sensational colour aesthetics combined with impressive durability.

## CONFIDEX® GUARANTEE

Façades with Colorcoat Prisma® coatings are also protected for up to 30 years – without any requirement for inspections or maintenance.

## MONTAFIX®

The new MONTAFIX® fastening system makes it possible to install the MONTALINE® profiles even more quickly and economically.

## YOUR OWN SOLAR POWER PLANT

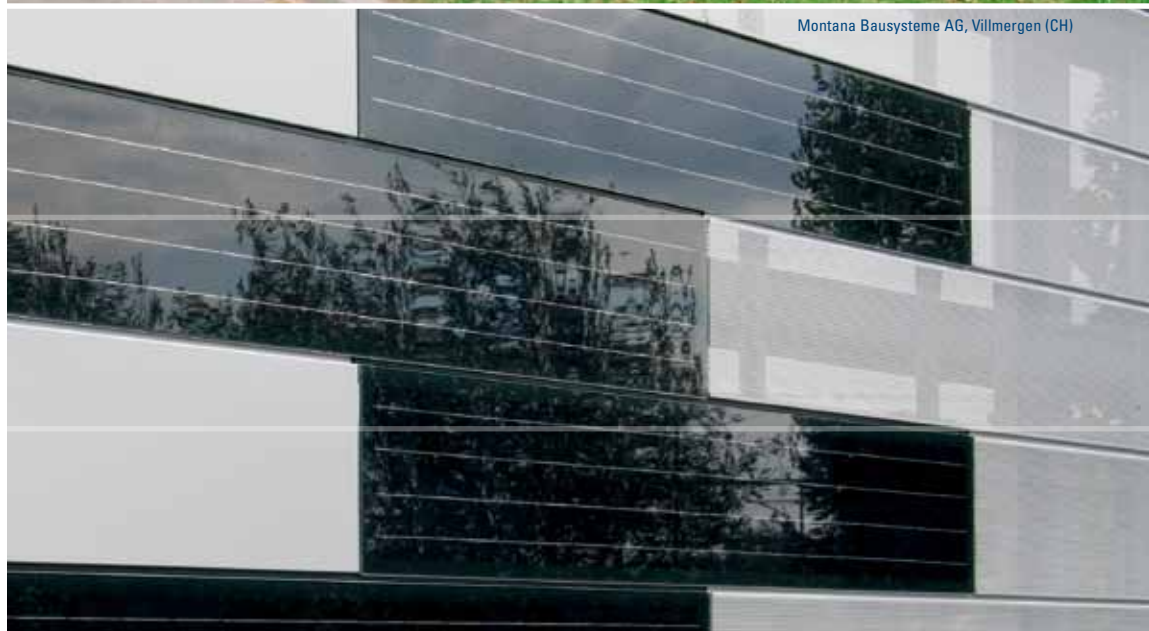
Be independent: produce solar power!

With the new MONTALINE® MLS 26/400 F high-performance solar module, you can make an active contribution to preserve our environment.



Technical University of Darmstadt (D)

Montana Bausysteme AG, Villmergen (CH)



# CONTENTS



MONTALINE®

PAGE

- **MONTALINE® CLADDING PROFILES IN STEEL AND ALUMINIUM**  
Dimensions and precise descriptions
- **MONTALINE® SYSTEM ELEMENTS**  
Detailed information
- **RECOMMENDATIONS**  
from storage to fitting
- **SERVICE**  
Detailed information and tolerances
- **MONTANA REFERENCES**

4 ●

5 ●

6 ●

7 ●

back page ●



Lehner Versand AG, Schenkon (CH)





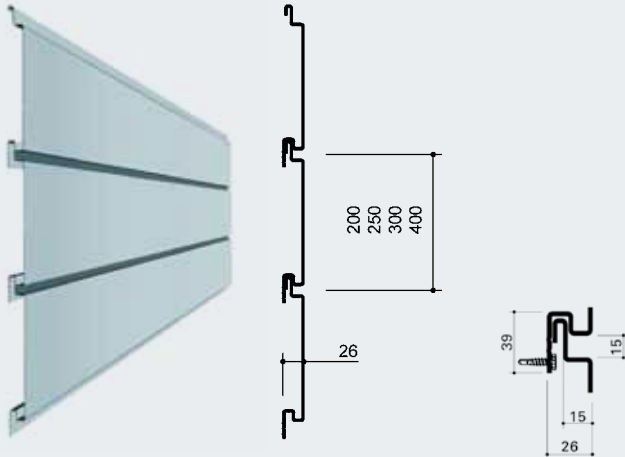
# MONTALINE®

## CLADDING PROFILES IN STEEL AND ALUMINIUM

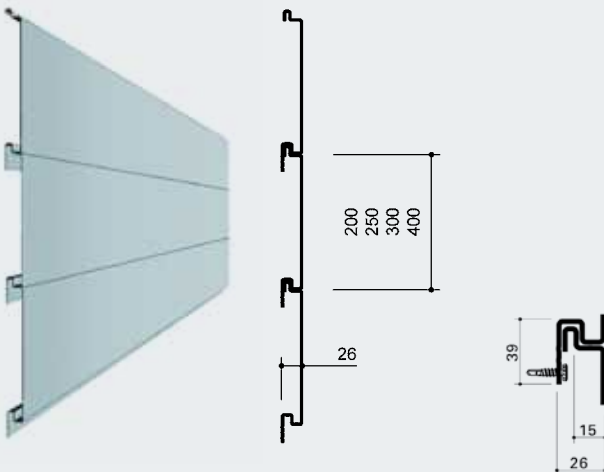
With hidden fasteners, smooth visible side, with microprofilation on request

PROFILE

### ● ML F PROFILE WITH OPEN JOINT

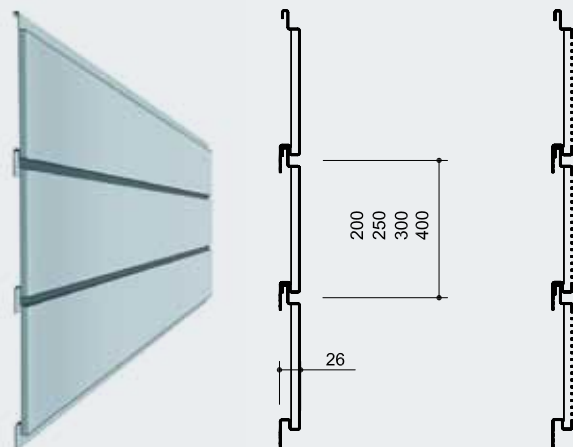


### ● ML G PROFILE WITH CLOSED JOINT



### ● ML F-K PROFILE WITH OPEN JOINT AND DOUBLE-SIDED BENDED ENDS

Perforated finish only in aluminium and on request



TYPE

THICKNESS mm

TYPE	THICKNESS mm				
	0.70	0.75	0.80	1.00	1.20
● ML 26/200 F	STEEL kg/m <sup>2</sup>	● 8.60	● 9.21	● 9.82	
	ALUMINIUM kg/m <sup>2</sup>	● 2.95	● 3.38		
● ML 26/250 F	STEEL kg/m <sup>2</sup>	● 8.06	● 8.64	● 9.22	
	ALUMINIUM kg/m <sup>2</sup>	● 2.77	● 3.17		
● ML 26/300 F	STEEL kg/m <sup>2</sup>			● 10.80	
	ALUMINIUM kg/m <sup>2</sup>			● 3.71	● 4.45
● ML 26/400 F	STEEL kg/m <sup>2</sup>			● 10.10	
	ALUMINIUM kg/m <sup>2</sup>			● 3.47	● 4.16
● ML 26/200 G	STEEL kg/m <sup>2</sup>	● 8.60	● 9.21	● 9.82	
	ALUMINIUM kg/m <sup>2</sup>	● 2.95	● 3.38		
● ML 26/250 G	STEEL kg/m <sup>2</sup>	● 8.06	● 8.64	● 9.22	
	ALUMINIUM kg/m <sup>2</sup>	● 2.77	● 3.17		
● ML 26/300 G	STEEL kg/m <sup>2</sup>			● 10.80	
	ALUMINIUM kg/m <sup>2</sup>			● 3.71	● 4.45
● ML 26/400 G	STEEL kg/m <sup>2</sup>			● 10.10	
	ALUMINIUM kg/m <sup>2</sup>			● 3.47	● 4.16
● ML 26/200 F-K	STEEL kg/m <sup>2</sup>	● 8.60	● 9.21	● 9.82	
	ALUMINIUM kg/m <sup>2</sup>	● 2.95	● 3.38		
● ML 26/250 F-K	STEEL kg/m <sup>2</sup>	● 8.06	● 8.64	● 9.22	
	ALUMINIUM kg/m <sup>2</sup>	● 2.77	● 3.17		
● ML 26/300 F-K	STEEL kg/m <sup>2</sup>			● 10.80	
	ALUMINIUM kg/m <sup>2</sup>			● 3.71	● 4.45
● ML 26/400 F-K	STEEL kg/m <sup>2</sup>			● 10.10	
	ALUMINIUM kg/m <sup>2</sup>			● 3.47	● 4.16

# SYSTEM ELEMENTS

## MONTALINE SYSTEM ELEMENTS

### ● MONTALINE® SOLAR

NEW!



MONTALINE® SOLAR – the sustainable and, at the same time, aesthetic addition to the MONTALINE® system. MONTALINE® SOLAR is easily hooked onto the holders of the MONTAFIX® securing system by means of the appropriately formed suspension device and can be combined with ML 26/400 F in steel or aluminium.

Finish with open joint only.

The tempered and toughened solar glass has a nano-coated surface with a self-cleaning effect and an especially high level of light transmission. The high-quality solar cells with cell efficiency of 17.7% produce electricity even in weak light.

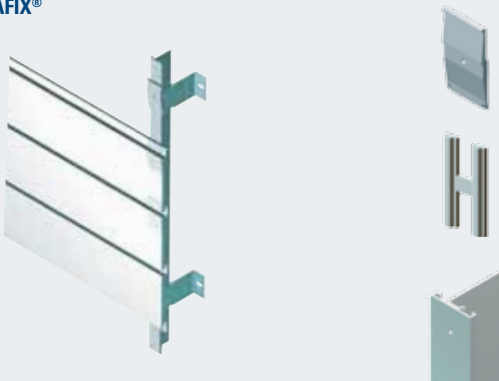
MONTALINE® solar modules are available in 2 lengths and energy-categories.

MLS 26/400 x 1500 mm = 75 Wp

MLS 26/400 x 3000 mm = 150 Wp

Would you like to know more about MONTALINE® SOLAR? Our sales team will be delighted to assist you!

### ● MONTAFIX®

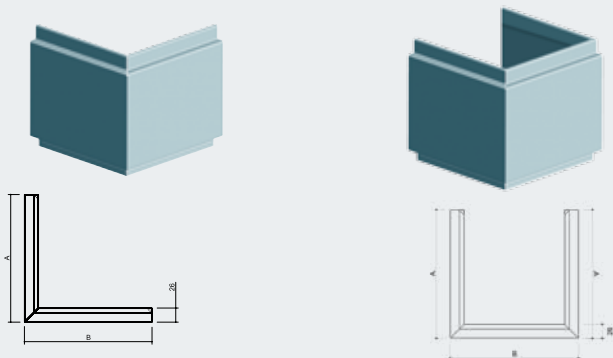


The new fastening system for MONTALINE® cladding profiles is suitable for both new buildings and renovation projects.

Fast, economical fitting times through simply hooking the MONTALINE® cladding profiles into the aluminium holders. Fitting is carried out from the bottom upwards.

Please ask for our detailed MONTAFIX® brochure!

### ● CORNER AND DOUBLE CORNER FORMATION



Execution is carried out by means of mitre cut and edging.

The trimmed edges are not welded.

Overall length max. 1200 mm

Dimension A and B according to specification

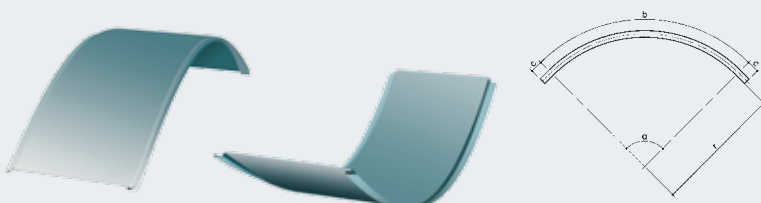
200 mm–600 mm

Standard angle 90°

#### FITTING RECOMMENDATION

At eye level, it is advisable to cut notches on the inside of the two MONTALINE® end ribs on the building side using metal shears so that the panel mountings cannot be seen.

### ● CONVEX AND CONCAVE ROUNDING



MONTALINE® profiles are available with concave and convex bends, without or without joints, only in aluminium.

Radius (r)  $\geq 1500$  mm

Angle ( $\alpha$ )  $\leq 90^\circ$

Maximum sheet length (b): 4500 mm

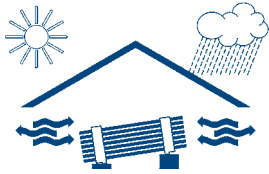
For technical production reasons, approximately 200 mm is left straight per element at the beginning and the end (c).

# FITTING RECOMMENDATIONS

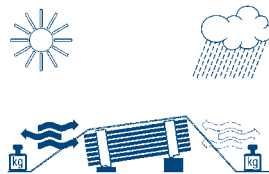
## CHECKS BEFORE COMMENCEMENT OF FITTING

The condition of the substructure must be checked before laying the construction elements with regard to even surface, right angles, necessary support widths, etc. If there are any defects or faults that make fitting difficult or even impossible, the customer/principal must be notified in writing with a request for rectification of the same.

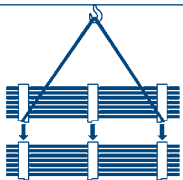
## STORAGE



A suitable storage area must be provided to store the building components. The packages must be stored in a dry place on the construction site and stored sloping slightly longways so that rain water can run off.



If not used immediately, the goods should be covered with aerated natural tarpaulins (not plastic sheeting).



Do not stack more than two packages on top of each other. Care must be taken in this respect that the wooden transport blocks are lying on top of each other.

If exposed to moisture with insufficient air supply, "white rust" will occur on the galvanised components within days. Check whether the aluminium feels cold! If this is the case, store the aluminium components in a cool, closed room with no draught so that the aluminium can warm up slowly.

If this is not done, black staining will appear on the aluminium! Corrosion of the metallic layer can even occur on materials with an additional plastic coating if they are stored incorrectly for a long period of time.

Unloading, handling and further transportation on the construction site should only be carried out using lifting straps so as to protect the organic coatings.



With short packages up to 6 m long, raising and lowering can also be carried out properly using a stacker truck with protected forks (e.g. with rubberised supports).

## CARRYING



The elements have to be lifted off the forklift truck carefully to protect the coating. They should be carried or lifted on end to avoid any bending of the elements.

## FOR NEW BUILDINGS AND RENOVATIONS

MONTALINE® cladding profiles are compatible with MONTASTEP® cladding profiles.

## PROFILE TIPS

When using MONTALINE® cladding profiles, the choice of material thickness is important because the industrial profiling has recently been designed for the appropriately recommended

material thickness according to the type of profile.

The standard finish is smooth, though the profiles can also be formed with microlining on request.

**ML F** are profiles with open joints of 15 mm.

**ML G** are profiles with closed joints, with butt joints on the side and only produced on request.

**ML F-K** are profiles with bended edges and 15 mm joints. These profiles are notched accordingly on both sides, with the edges turned 13 mm to the rear on the sides. The profiles are arranged horizontally with 15 mm joints all around.

## PLANNING AND FITTING TIPS

MONTALINE® profiles are always provided with a peelable colour protection film, which has to be removed when fitting.

MONTALINE® profiles can be fitted horizontally and vertically. The maximum bearing widths are shown in the calculation tables. For a high level of quality over the complete facade, we recommend maximum profile lengths next to each other. The length of the profile depends on material expansion and handling during fitting (see our recommendations).

MONTALINE® profiles can only be overlapped at the sides via tongue and groove. Appropriate soffit or pilaster sheets in the form of sword-shaped (haunch) or square profiles must therefore be provided for in the longitudinal direction at the planning stage.

When choosing MONTALINE® ML F-K profiles (with bended edges), you do not need any additional pilaster strips

because the profiles are closed at the sides. However, the borders at the sides such as corners and gates or window embrasures must always be fitted to the existing substructure first in the matching pattern of the profiles selected.

Attention has to be paid to the fitting direction for all profile types. Horizontal profiles are fitted from top to bottom. In conjunction with the MONTAFIX® UK substructure: from the bottom upwards. An absolutely flat metal substructure is essential for perfect fitting. Even joints are aligned using plumb lines or an appropriate spacer piece. The profiles must be secured with stainless flat-headed screws.



# SERVICE

SERVICE ELEMENTS RELATING TO MONTALINE®

## STANDARD FINISH

Smooth surface with microprofilation on request.

## STANDARD MATERIAL

ex stock (see our delivery programme on the MONTACOLOR® colour chart)

## SPECIAL PURCHASING

Minimum order quantities:  
Steel 7000 kg / Aluminium 2000 kg

## LENGTH RECOMMENDATION

Steel: 4.0 m–max. 6.0 m  
Aluminium: 4.0 m–max. 5.0 m / Perforated finish max. 4.0 m

## TOLERANCES

Lengths up to 4 m: ±2 mm

Lengths over 4 m up to 6 m: ±3 mm

For details, see limit dimensions of MONTALINE®

[www.montana-ag.ch](http://www.montana-ag.ch) > Services

> Download brochures



## Homepage

[www.montana-ag.ch](http://www.montana-ag.ch)  
With additional product information and references



## CAD files

You can download these.  
[www.montana-ag.ch](http://www.montana-ag.ch) > Products > CAD



## Load tables

You can download these as individual sheets.  
[www.montana-ag.ch](http://www.montana-ag.ch)  
> Products > Statics  
or request by telephone.



## Fitting recommendation

You can download this.  
[www.montana-ag.ch](http://www.montana-ag.ch) > Products > fitting recommendations  
or request it by telephone.



## Colour chart

Request by sending an email to:  
[info@montana-ag.ch](mailto:info@montana-ag.ch)  
or telephone +41 0 56 619 85 85  
or write to Montana Bausysteme AG,  
Durisolstr. 11, CH-5612 Villmergen







**MONTANA BAUSYSTEME AG – THE SWISS  
COMPANY WITH INTERNATIONAL REFERENCES  
IN INDUSTRIAL, COMMERCIAL, ADMINISTRA-  
TIVE AND RESIDENTIAL CONSTRUCTION**

Montana Bausysteme AG has become a byword for innovative construction solutions among planners and architects. Years of experience, a broad product range, high flexibility and the resources of a multinational group make Montana a top supplier of international calibre. Architects acknowledged worldwide use products from Montana Bausysteme AG to match visual creativity with technical requirements. In addition to the products presented in this brochure, we can also offer you other attractive product lines such as SWISS PANEL®, MONTAFORM®, MONTANATHERM®, MONTAWALL®, MONTATWIN®, MONTASTEP® and HOLORIB/SUPERHOLORIB®. Please ask for further information!

Every construction project is a challenge. A well-rehearsed, highly competent Montana team ensures the smooth progress of consultation, planning and production, right up to punctual delivery on site.



**MONTAFORM®** Residential development, Olten (CH)



**MONTAWALL®** Stade de Suisse, Berne (CH)



**SWISS PANEL®** Paul Klee Centre, Berne (CH)



**PERFORATION** Stade de la Maladière, Neuenburg (CH)



**SUPERHOLORIB®** Technology Museum (D)



**MONTANATHERM®** Neomat AG, Beromünster (CH)



**MONTATWIN®** Kaufland, Dingolfing (D)



**MONTASTEP®** Connect GmbH, Freiburg (D)

We reserve the right to make changes to our products in the course of further technical and technological development. For this reason, the information given in our brochures is to be regarded as non-binding recommendations. The illustrated designs, details and shapes are non-binding solution suggestions that have to be checked for correctness depending on the structure and associated requirements. Technical details shall only form the subject of a contractual agreement following mutual consultation and our written confirmation accordingly. Reproduction and reprinting prohibited.

**MONTANA BAUSYSTEME AG**  
Durisolstrasse 11  
CH-5612 Villmergen  
Tel. + 41 0 56 619 85 85  
Fax + 41 0 56 619 86 10  
[www.montana-ag.ch](http://www.montana-ag.ch)  
[info@montana-ag.ch](mailto:info@montana-ag.ch)

**MONTANA SYSTÈMES  
DE CONSTRUCTION SA**  
CH-1028 Préverenges  
Tél. + 41 0 21 801 92 92  
Fax + 41 0 21 801 92 93  
[www.montana-ag.ch](http://www.montana-ag.ch)  
[info@montana-ag.ch](mailto:info@montana-ag.ch)

**MONTANA BAUSYSTEME AG**  
Branch Office  
D-86845 Grossaitingen  
Tel. +49 0 8203 95 90 555  
Fax +49 0 8203 95 90 556  
[www.montana-ag.ch](http://www.montana-ag.ch)  
[info@montana-ag.ch](mailto:info@montana-ag.ch)